

The reproduction, transmission or use of this document or its contents is not permitted without express written authority. Offenders will be liable for damages. All rights, including rights created by patent grant or registration of an utility model or design, are reserved.

Weitergabe sowie Vervielfältigung dieser Unterlage, Verwertung und Mitteilung ihres Inhalts nicht gestattet, soweit nicht ausdrücklich zugestanden. Zuwiderhandlungen verpflichten zu Schadensersatz. Alle Rechte vorbehalten, insbesondere fuer den Fall der Patenterteilung oder GM-Eintragung.

**Notes:**

Current Rating: 3.0 AMP  
 Contact Resistance: 20 Milliohm max.  
 Insulation Resistance: 1000 Megaohm min.  
 Withstand Voltage: 500VAC/Minute  
 Operating Temperature: -40°C to +105°C

Contact Material: Brass  
 Contact plating: Sn or Au Over Ni  
 Insulator Material: PBT+30%GF (UL94V-0)

Components according to RoHS directive 2002/95/EC

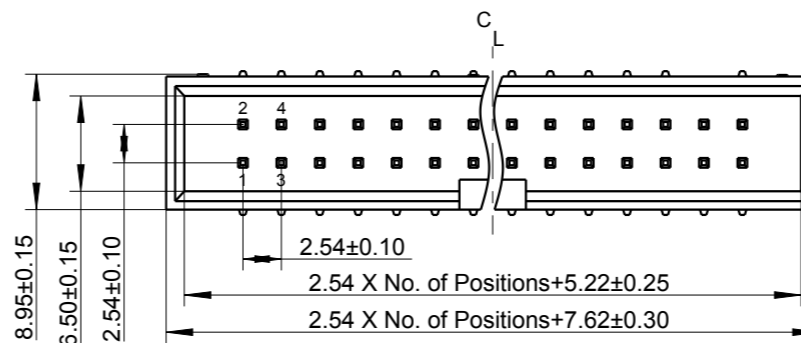
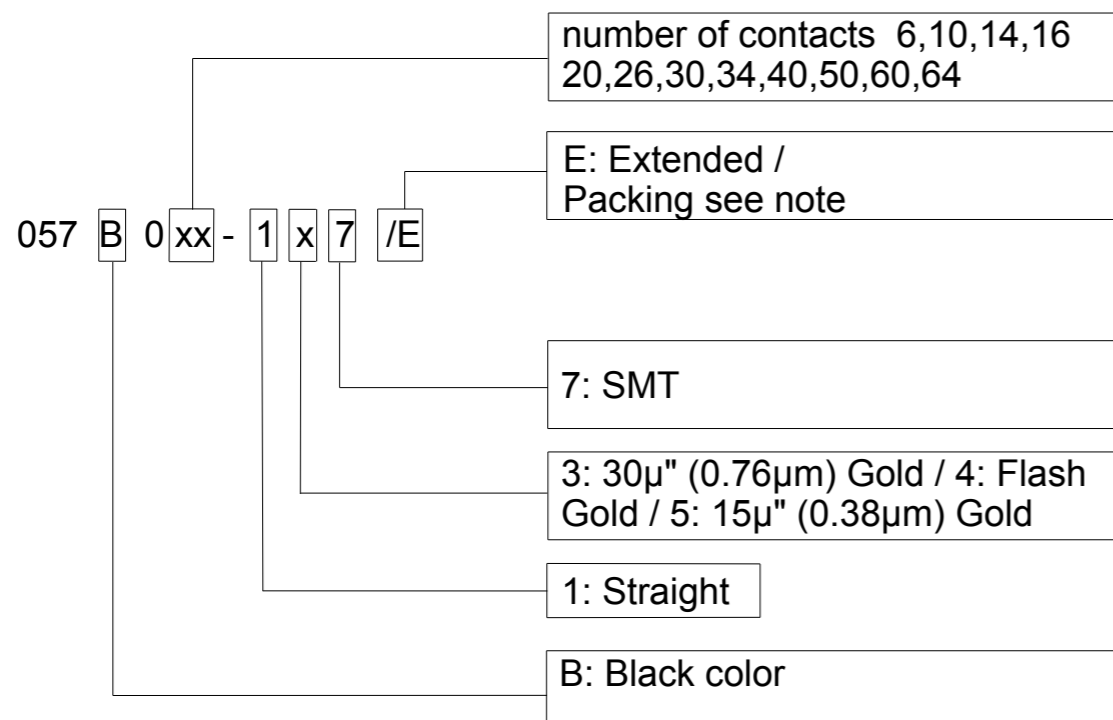


Housing printed with Pancon Logo

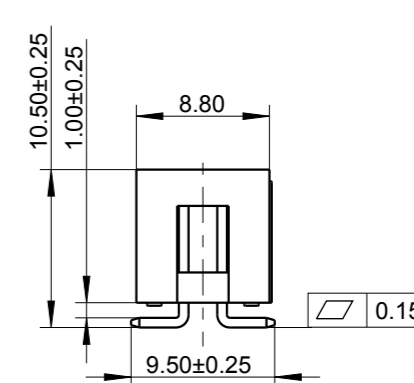
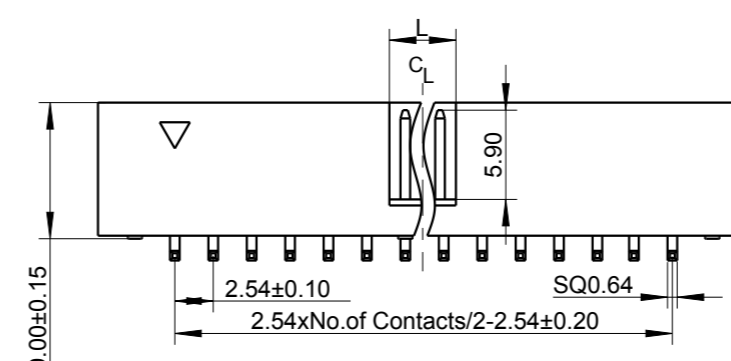
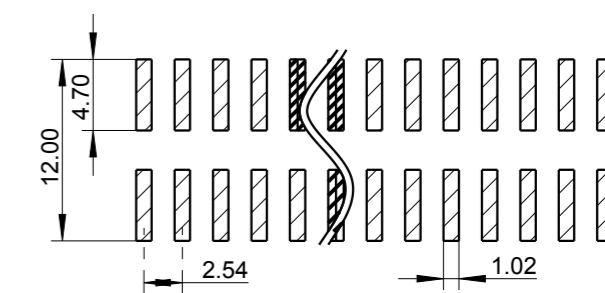
**Packing Note:**

Standard (no designation) = Tray or Cardboard  
 J = Tray with Cap  
 R = Reel  
 T = Tube  
 U = Reel with Cap  
 V = Tube with Cap

**Ordering Information Connector**



**Recommended P.C.B Layout(Top Side)**



3D-CAD-MODELLNAME: <b>DRAWING IMPORT</b>				FILETYPE: <b>2D-DRW</b>	Dateiname Zeichnung / FILENAME DRAWING: <b>C-057X0XX-1X7_E</b>	
wird verwendet in / USED IN: - - -		Allgemeintoleranzen GENERAL TOLERANCES .000 ±0.13 .00 ±0.25 .0 ±0.38 } ANGLE ±1°		Einheit/UNIT <b>mm</b>	Maßstab: SCALE <b>unscaled</b>	VOLUME: mm3 Gewicht/WEIGHT: g
Bemerkungen / REMARKS - - -				MATERIAL: <b>SEE PRODUCT KEY</b> Oberfl./FINISH: <b>SEE PRODUCT KEY</b>		unverbindlich WITHOUT OBLIGATION
				DATE erstellt DRAWN BY 210208 WIS	NAME WIS	Benennung/TITLE <b>BOX HEADER, 254, STRAIGHT, SMT</b>
				geprüft CHECKED 220208 ROK	Freigabe RELEASED 220208 RAS	
<b>02</b>	#1901	110209	TOS	 <b>C-057X0XX-1X7/E</b> www.pancon.de		Blatt SHT. <b>1</b>
REV.	Aenderung/ECN	DATE	NAME			Project: LC/E