



Termination die set KG100 und KG156

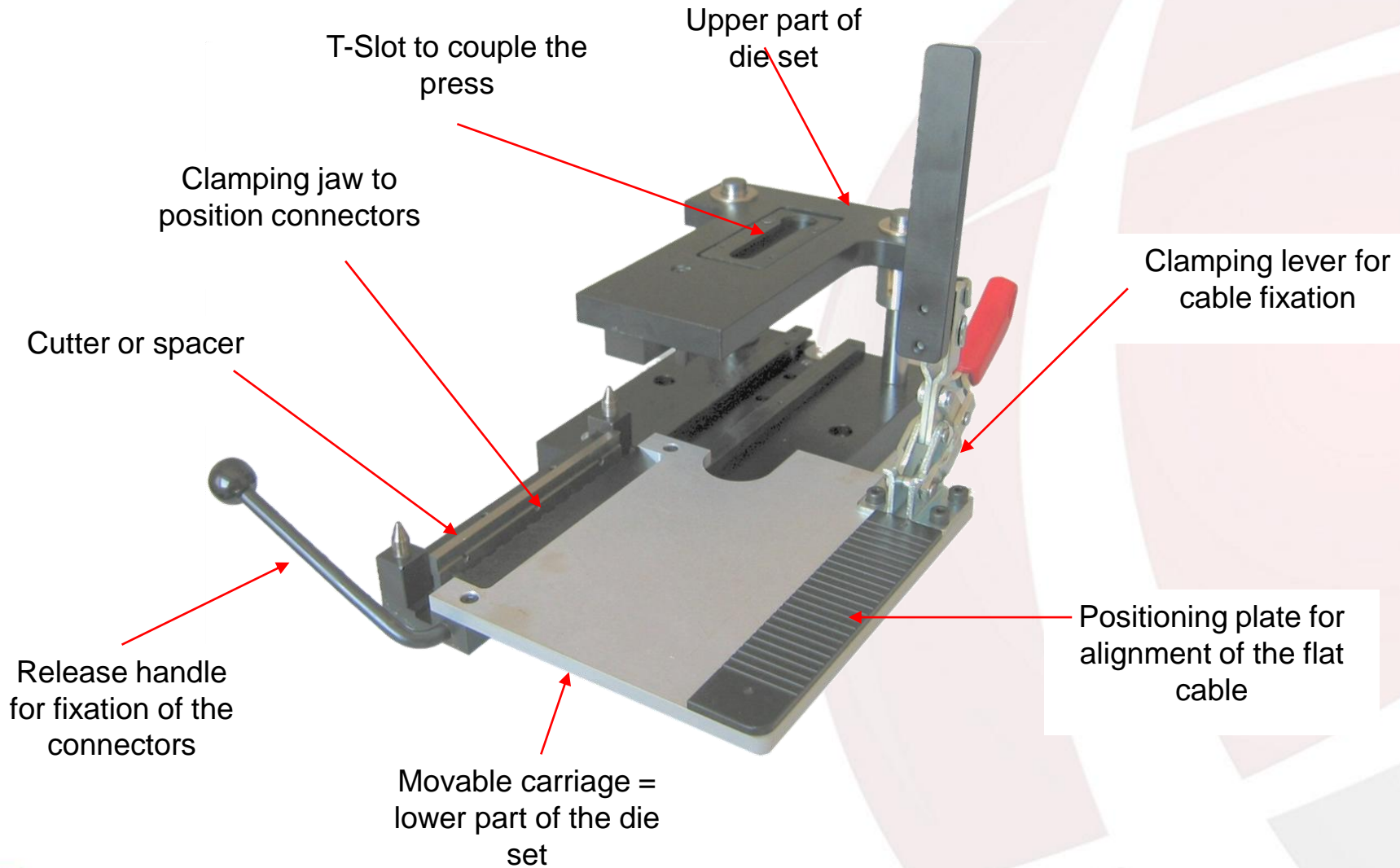
- Use with 2 to 12-pole MAS-CON End- and Through connectors, pitch 2,54mm und 3,96mm
- KG100 = MAS-CON End- and Through connectors, pitch 2,54mm
- KG156 = MAS-CON End- and Through connectors, pitch 3,96mm



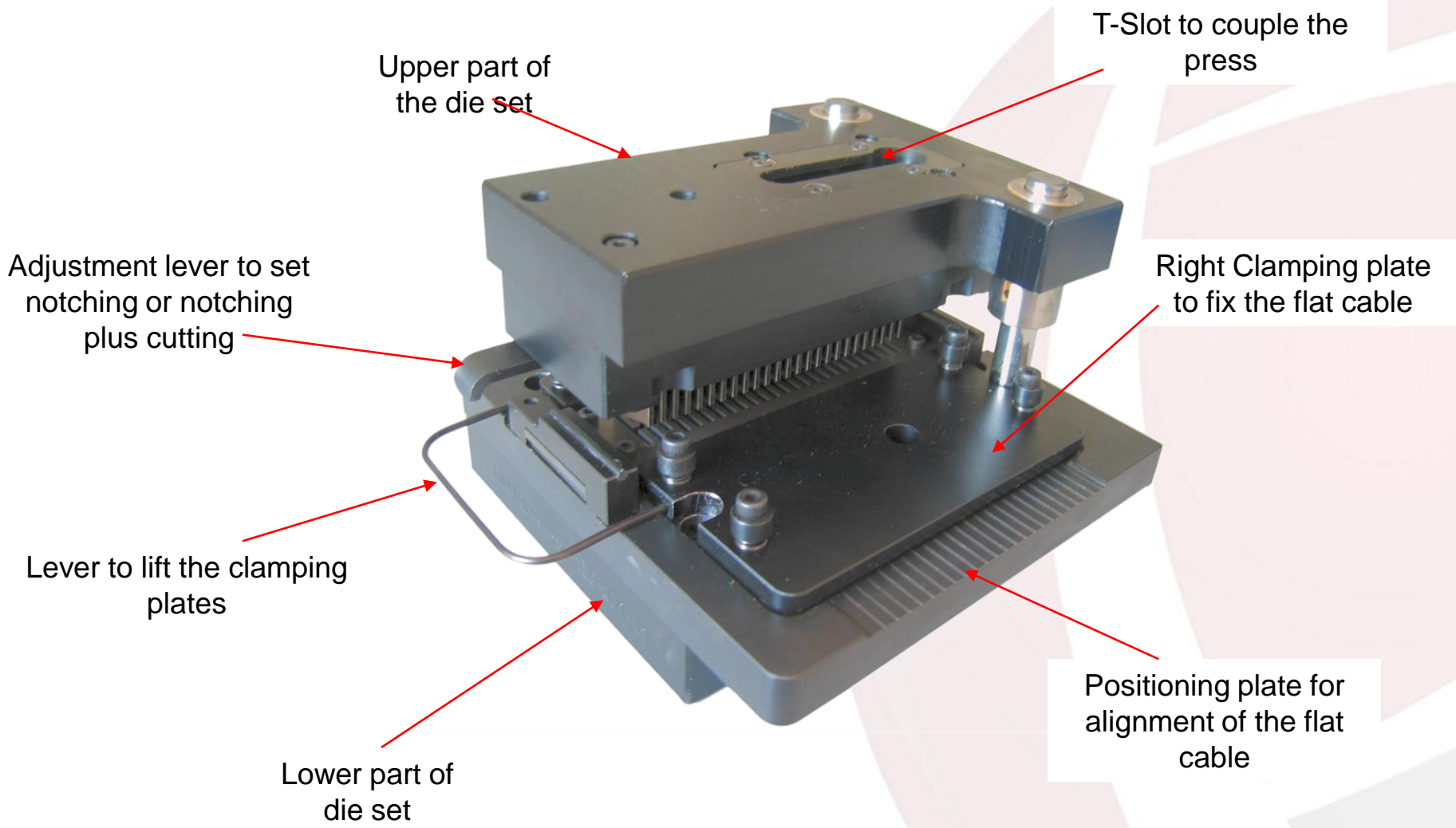
Notching die set SG100 und SG156

Notching and/or cutting of flat cable (AWG18 to AWG28) from 2 to 12-poles.
SG100 = for flat cable pitch 2,54mm
SG156 = for flat cable pitch 3,96mm
We recommend the use of flat cable acc. to UL 2651.

Die Set KG100 & 156 MAS-CON



Notching Die Set SG100 & 156 MAS-CON



Main Data

Length [mm]	x	width [mm]	x	Height [mm]
260	x	420	x	370
weight	21,4 kg			

Pneumatic Connection

Air joint: G 1/8" diameter

air: must be dry, trocken, oil-free and clean

Air pressure: min. 3bar - max. 6bar

Pressure switch: 5bar

The machine can only be operated with both hands simultaneous

