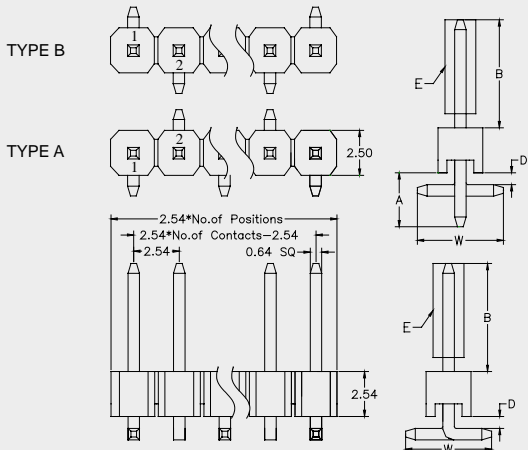
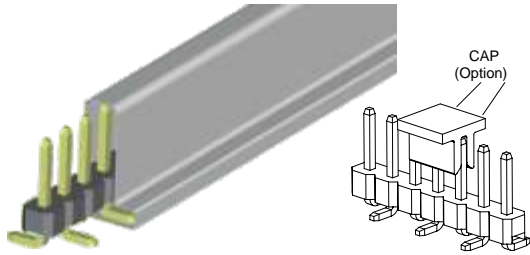
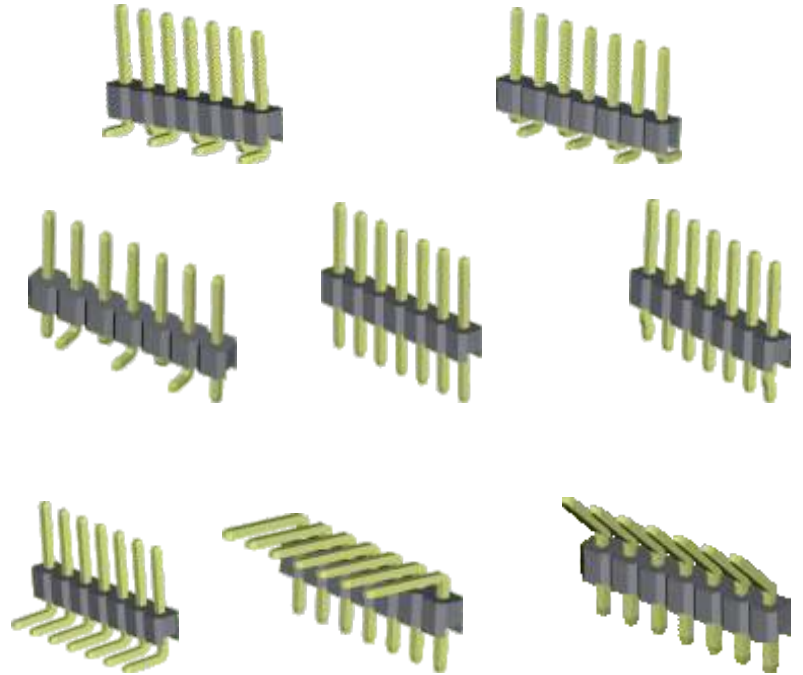


2.54mm Pin Header, Single Row, Mono Layer

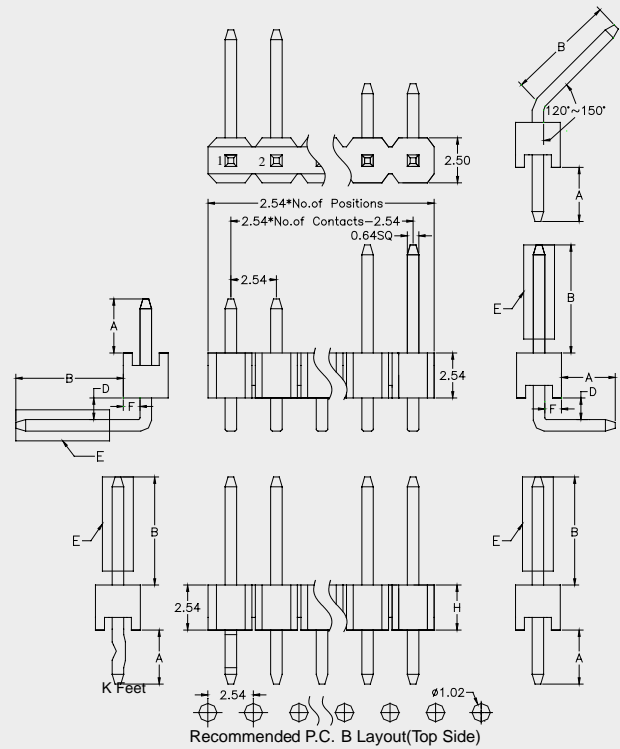
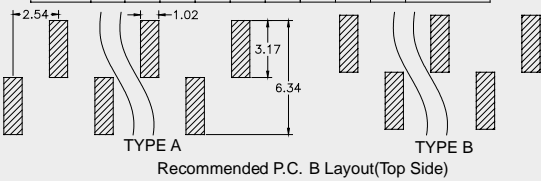


SPECIFICATIONS

Current Rating: 3.0AMP
 Contact Resistance: 20mΩ Max.
 Insulation Resistance: 1000MΩ Min.
 Withstanding Voltage : 500V AC/Minute
 Operation Temperature: -40°C to +105°C
 Contact Material: Brass
 Contact plating: Au or Sn Over Ni
 Insulator Material: Polyester (UL94V-0)
 Standard: PA6T/PBT+30%GF
 Tube Packing



Dimension antitheses list										
ITEM	A	B	H	D	W	Plating Au "E"				
Standard 1	3.00	6.00	1.50	1.70	2.00	2.54	0.60	1.20	4.80	5.90
Alternate										



1	120207	Logo changed	rok
REV	DATE	NOTE	NAME

rok080902rev120207

pancon.de / Datasheet / Datenblatt / Dat

pancon.de / Datasheet / Datenblatt / Dat