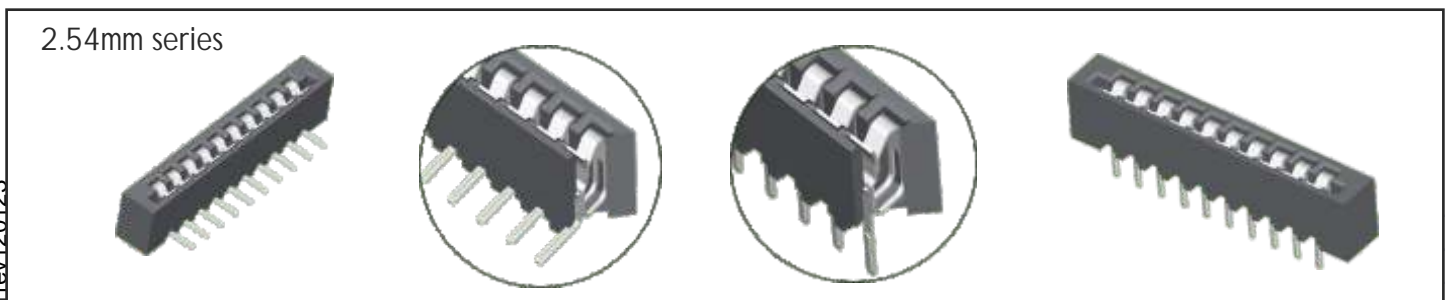
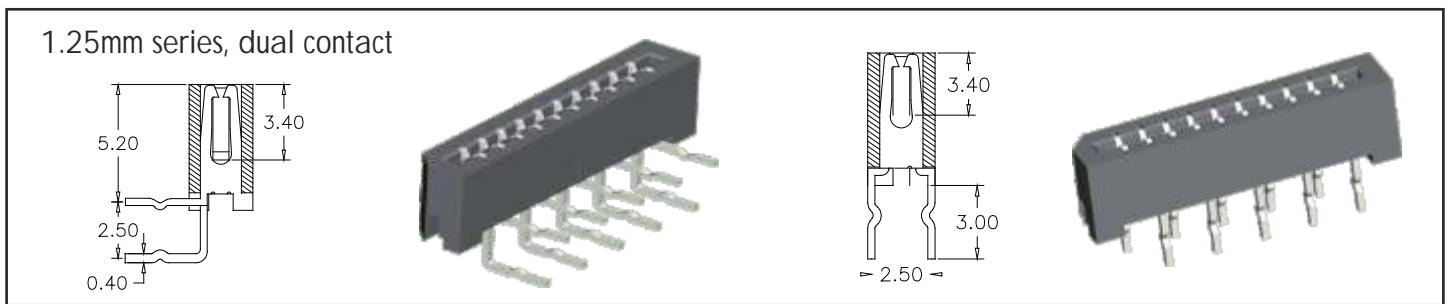
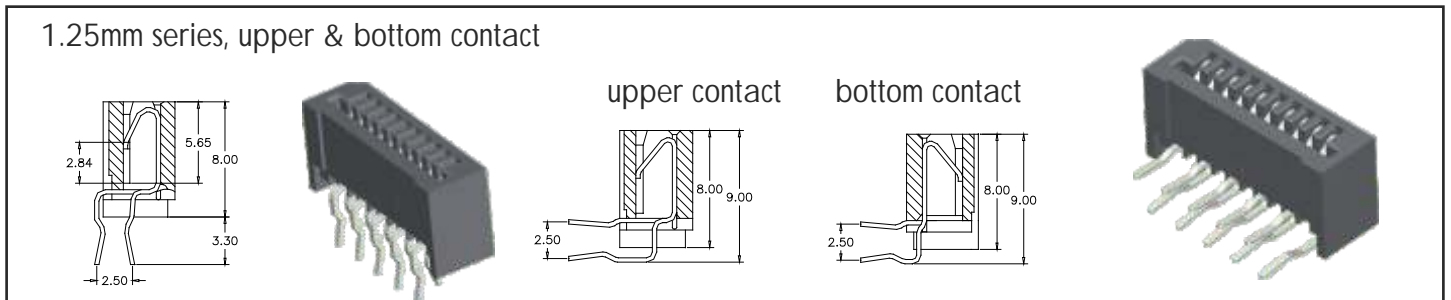
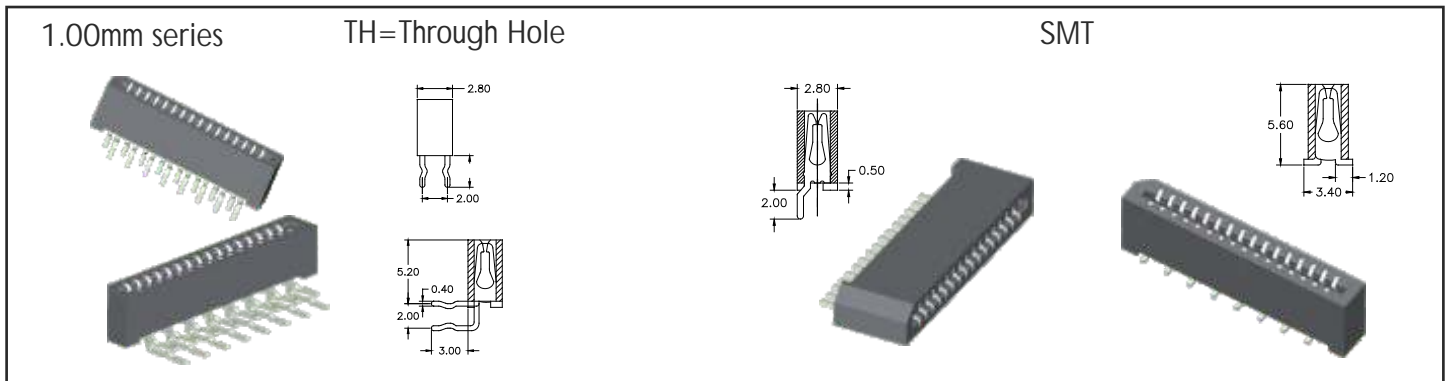
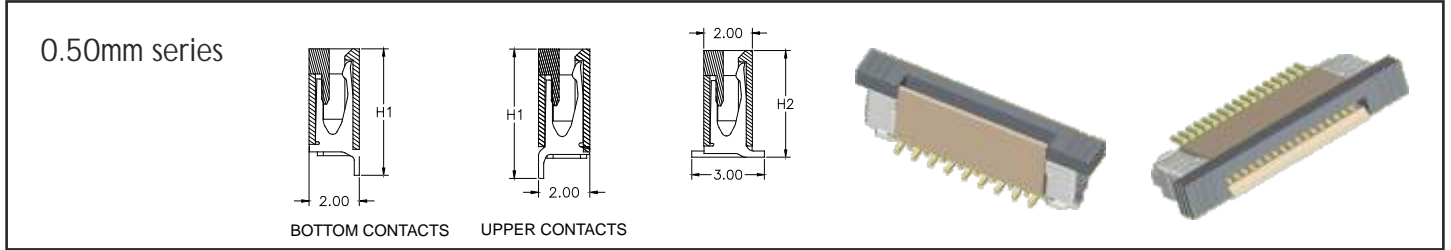


Pitch	No of contacts	Design [Straight or R/A]	Solder [TH/ SMT]	Contact type
0.5mm	4 to 60	Straight or R/A	SMT	Dual / upper contact / low er contact
1.00mm	5 to 34	Straight or R/A	TH or SMT	Dual
1.25mm	5 to 34	Straight or R/A	TH	R/A: upper contact / low er contact
1.25mm	3 to 30	Straight or R/A	TH	Dual
2.54mm	3 to 30	Straight or R/A	TH	-



1	120123	Logo changed	rok
REV	DATE	NOTE	NAME

pancon GmbH / Datenblatt / Rev 120123

pancon GmbH / Datenblatt / Rev 120123